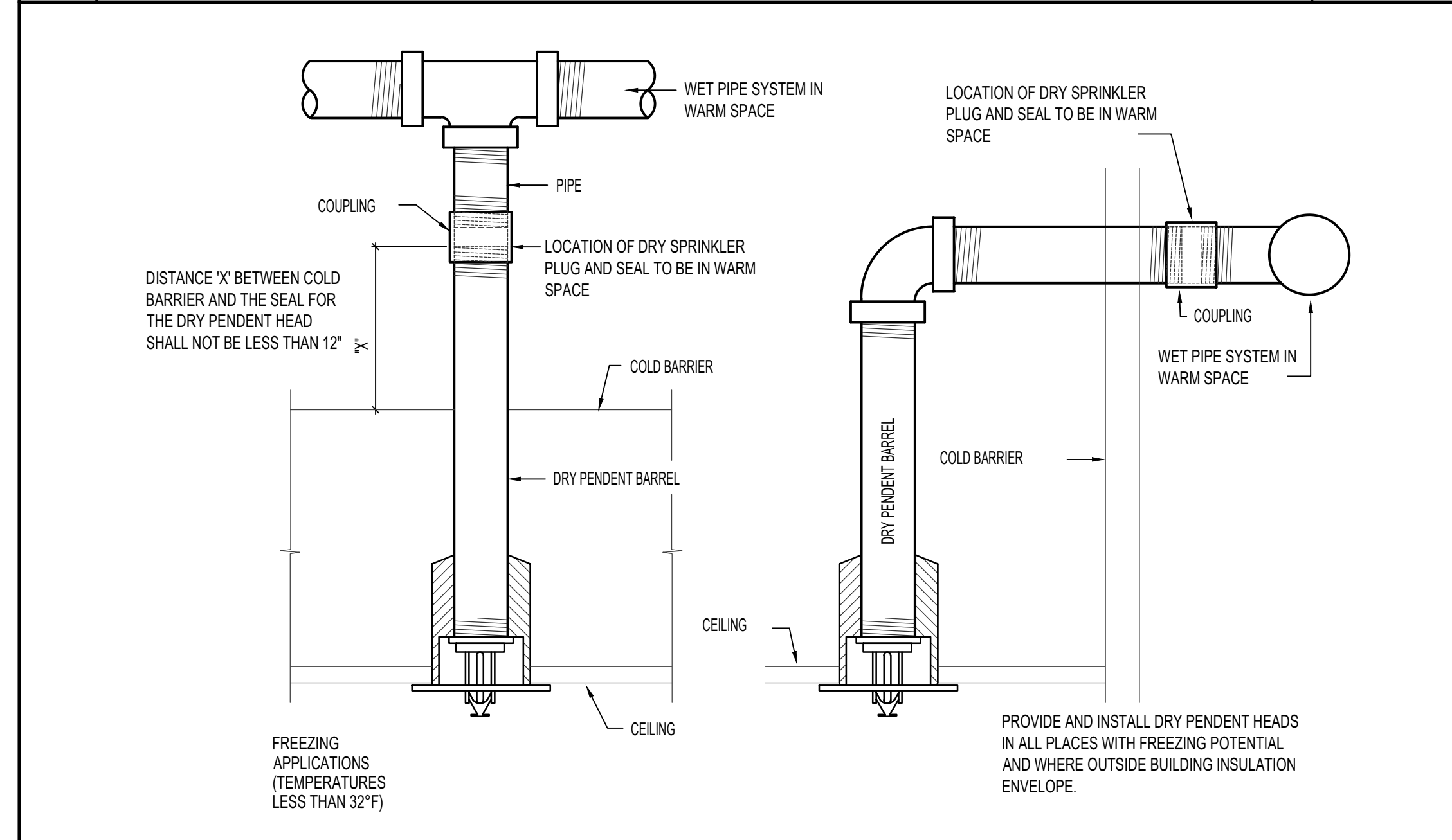
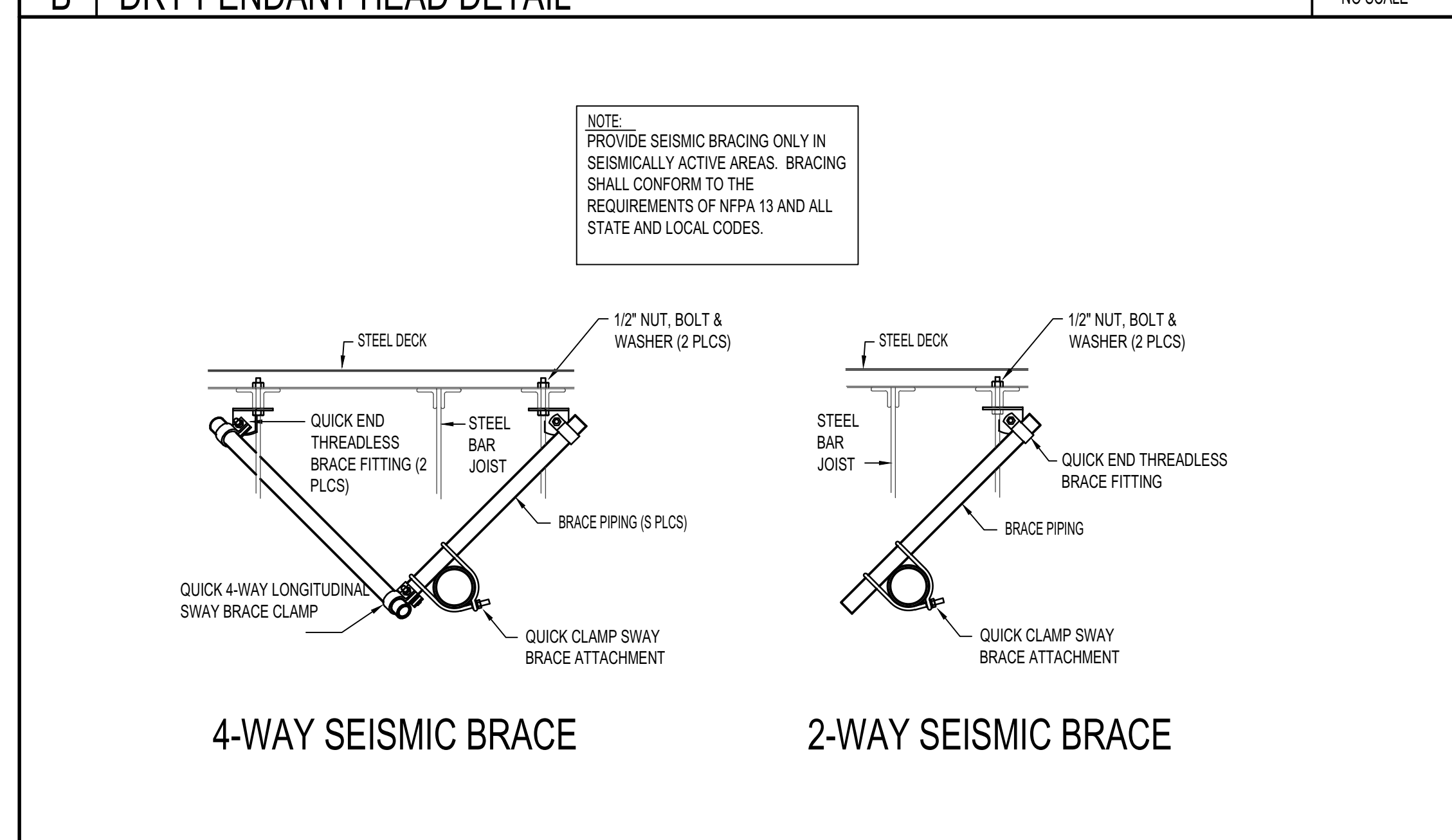


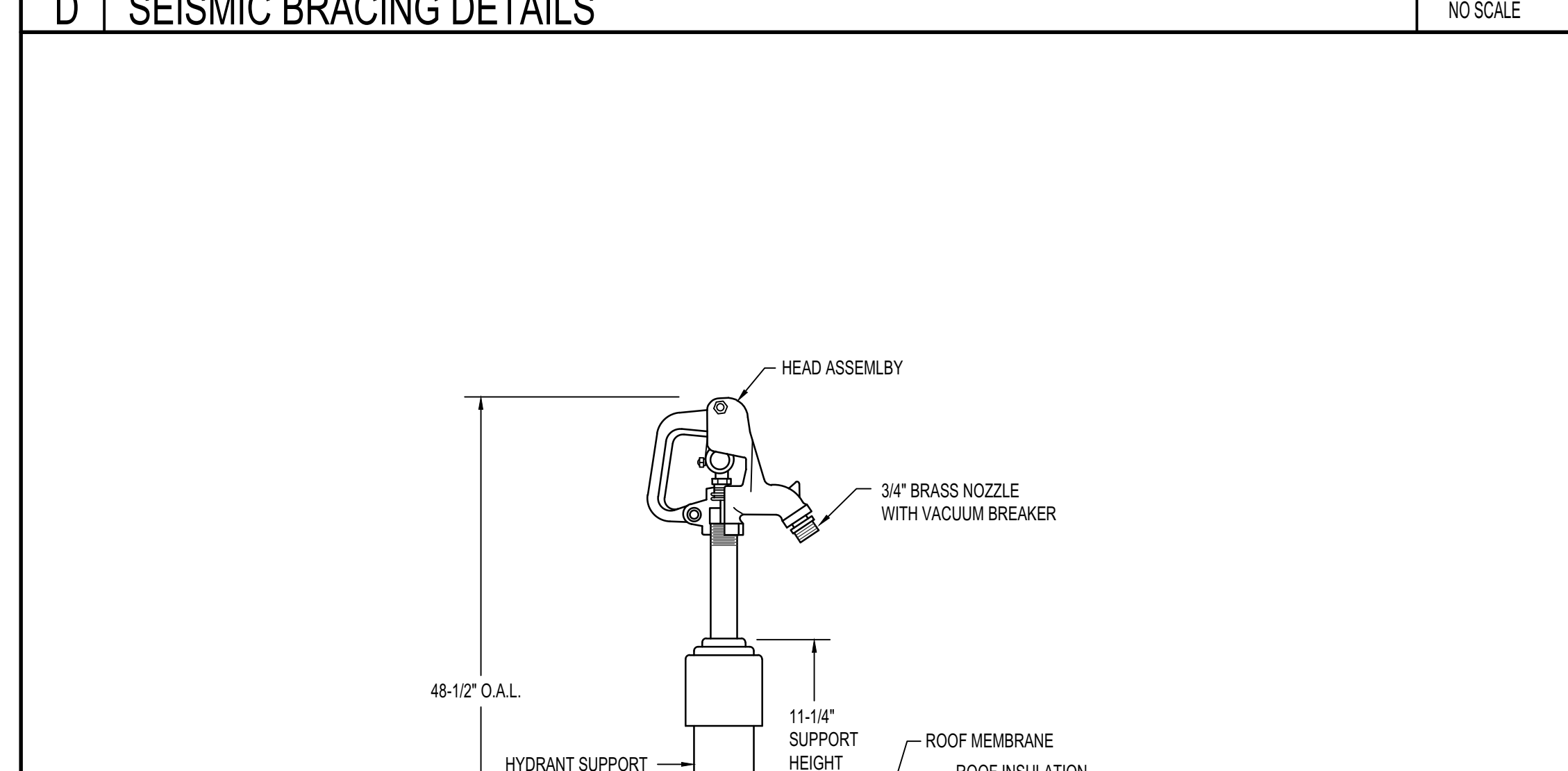
A SPRINKLER HEAD COORDINATION DETAIL NO SCALE



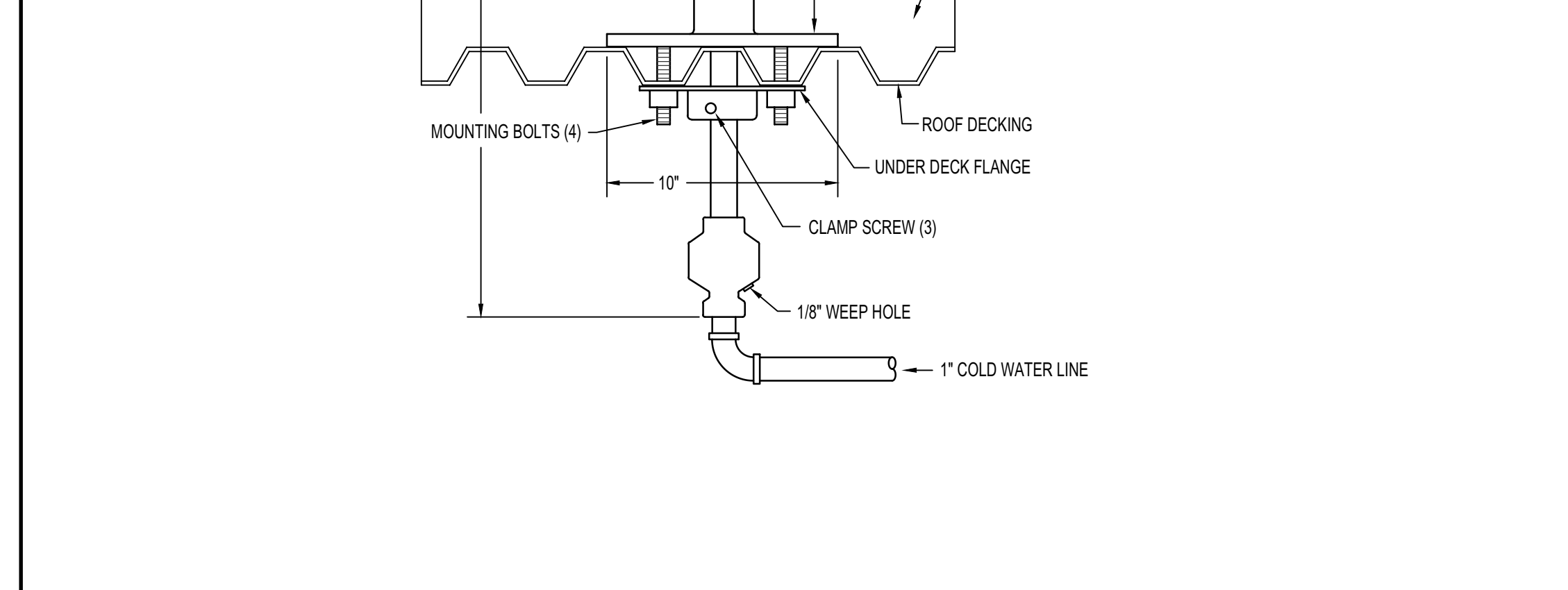
B DRY PENDANT HEAD DETAIL NO SCALE



C VERTICAL FIRE RISER AND ALARM VALVE DETAIL NO SCALE



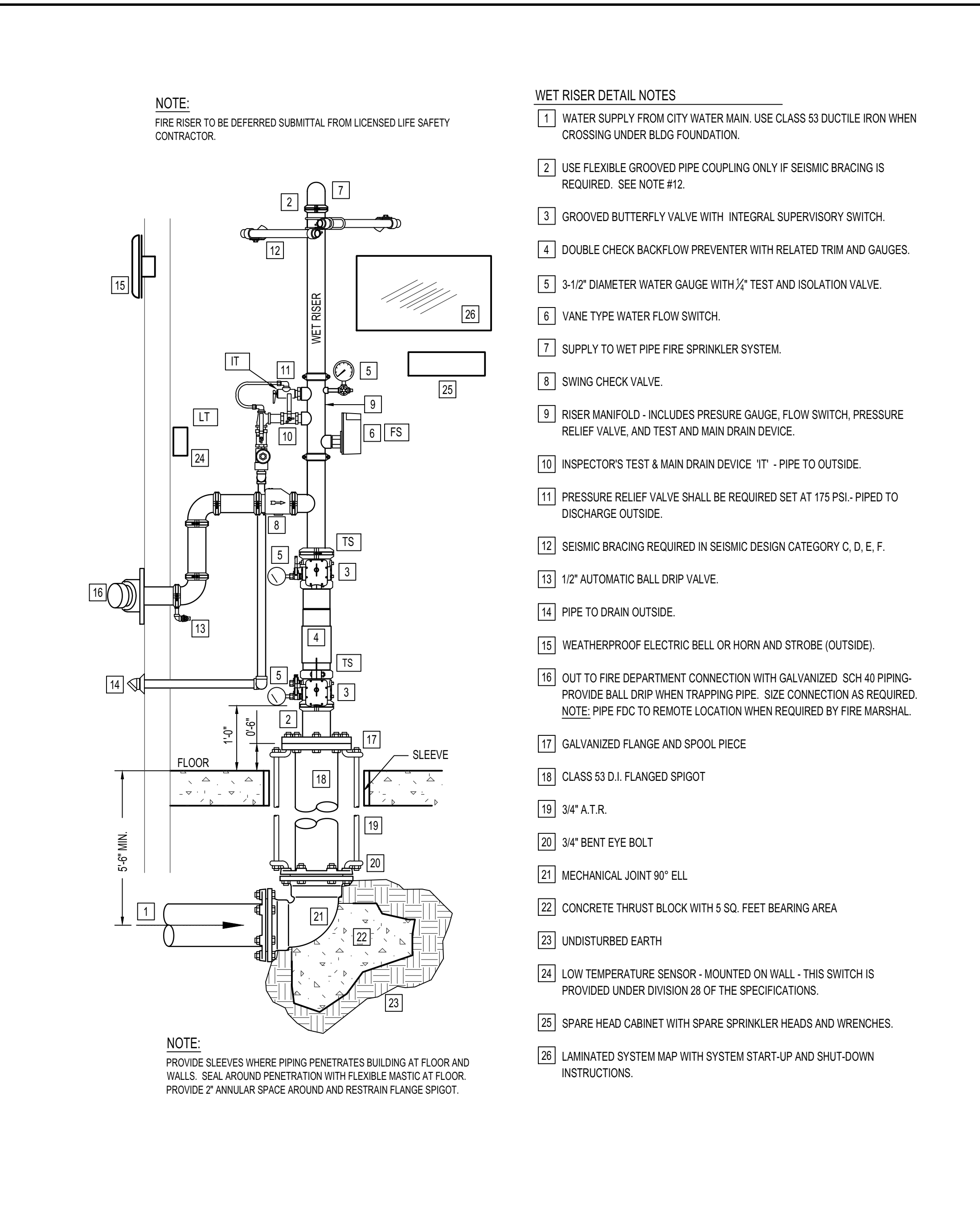
D SEISMIC BRACING DETAILS NO SCALE



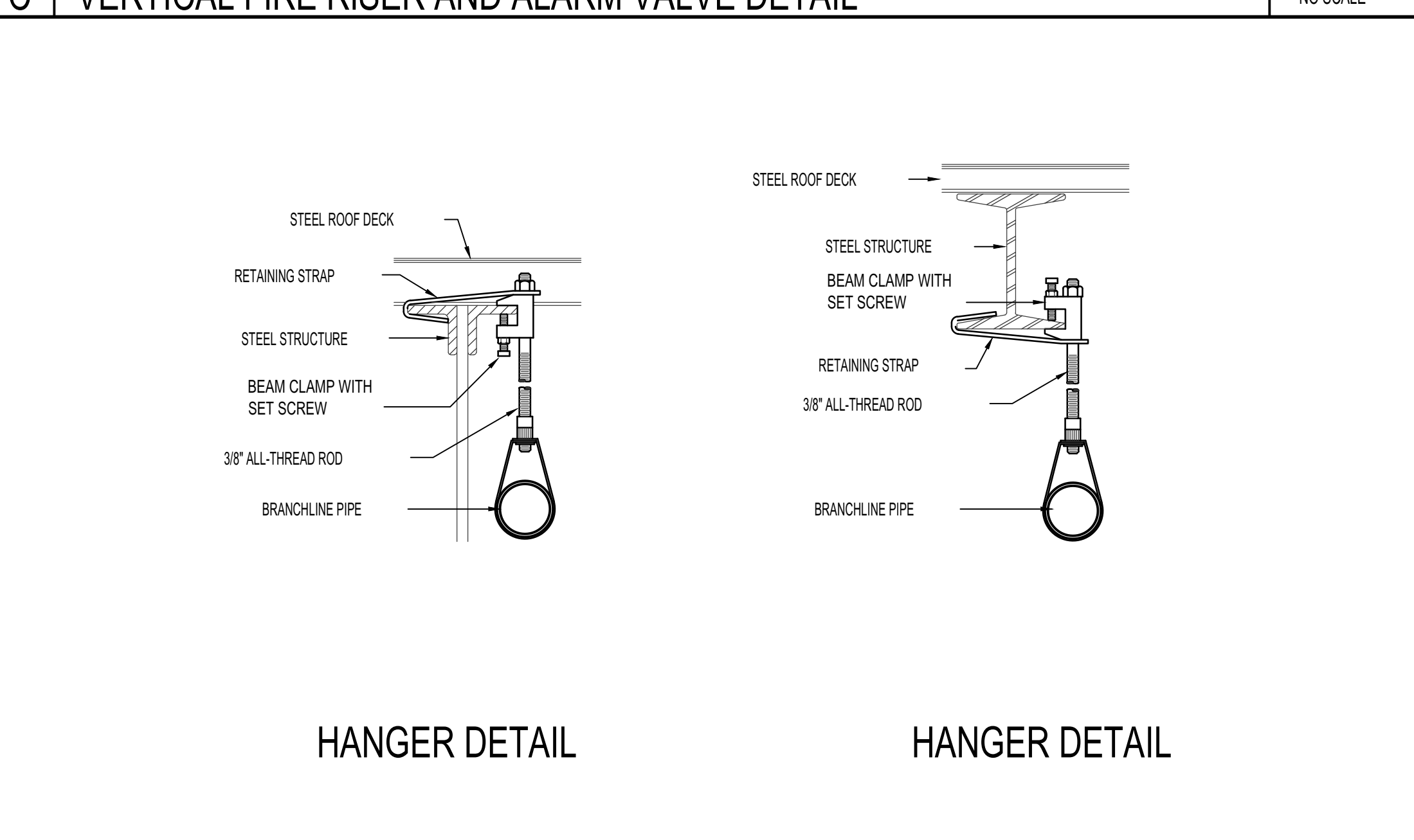
E FIRE SPRINKLER PIPE HANGER DETAILS NO SCALE



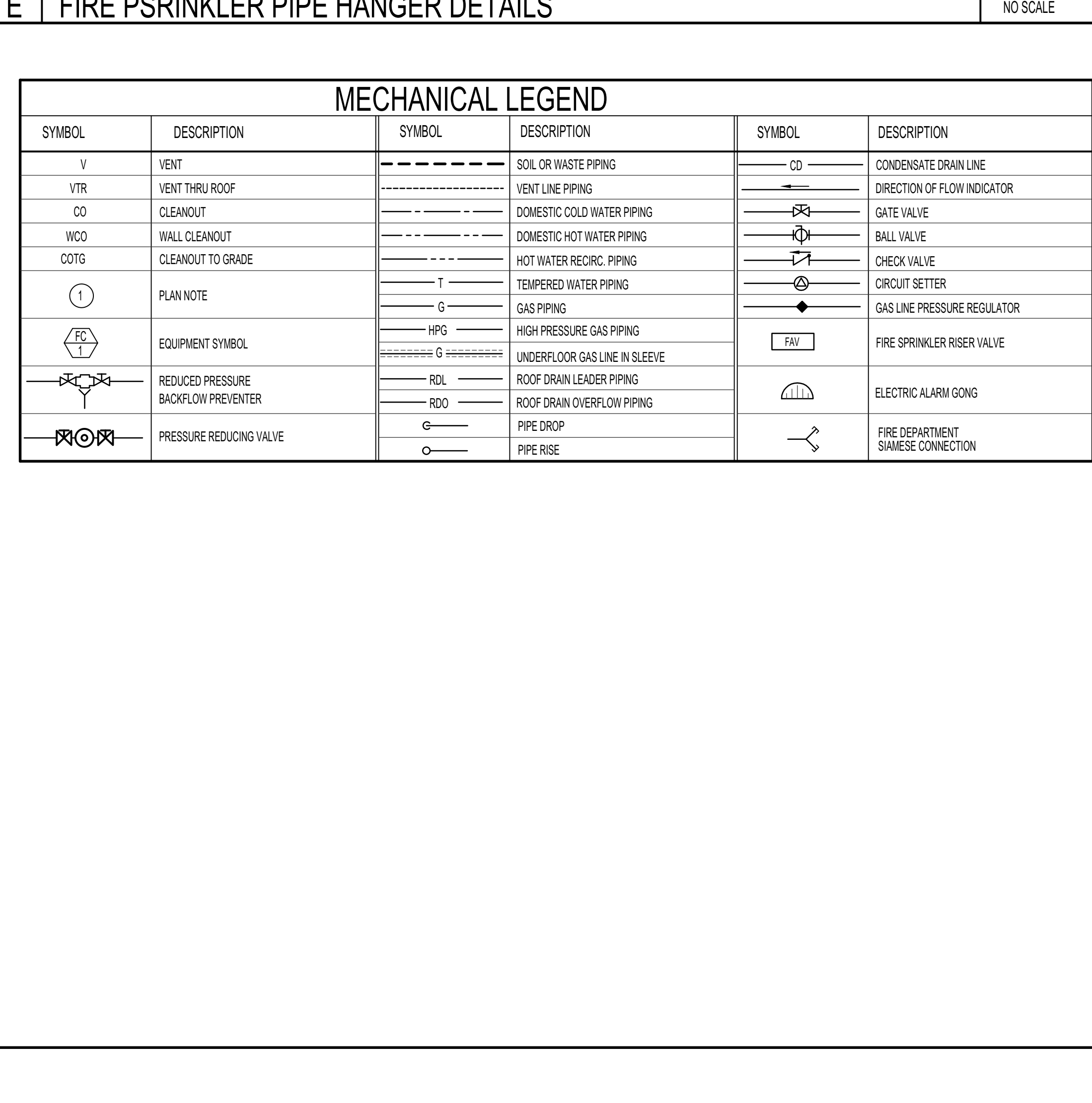
F ROOF MOUNTED HOSE BIBB DETAIL NO SCALE



G MECHANICAL LEGEND



H MECHANICAL LEGEND



I WET RISER DETAIL NOTES

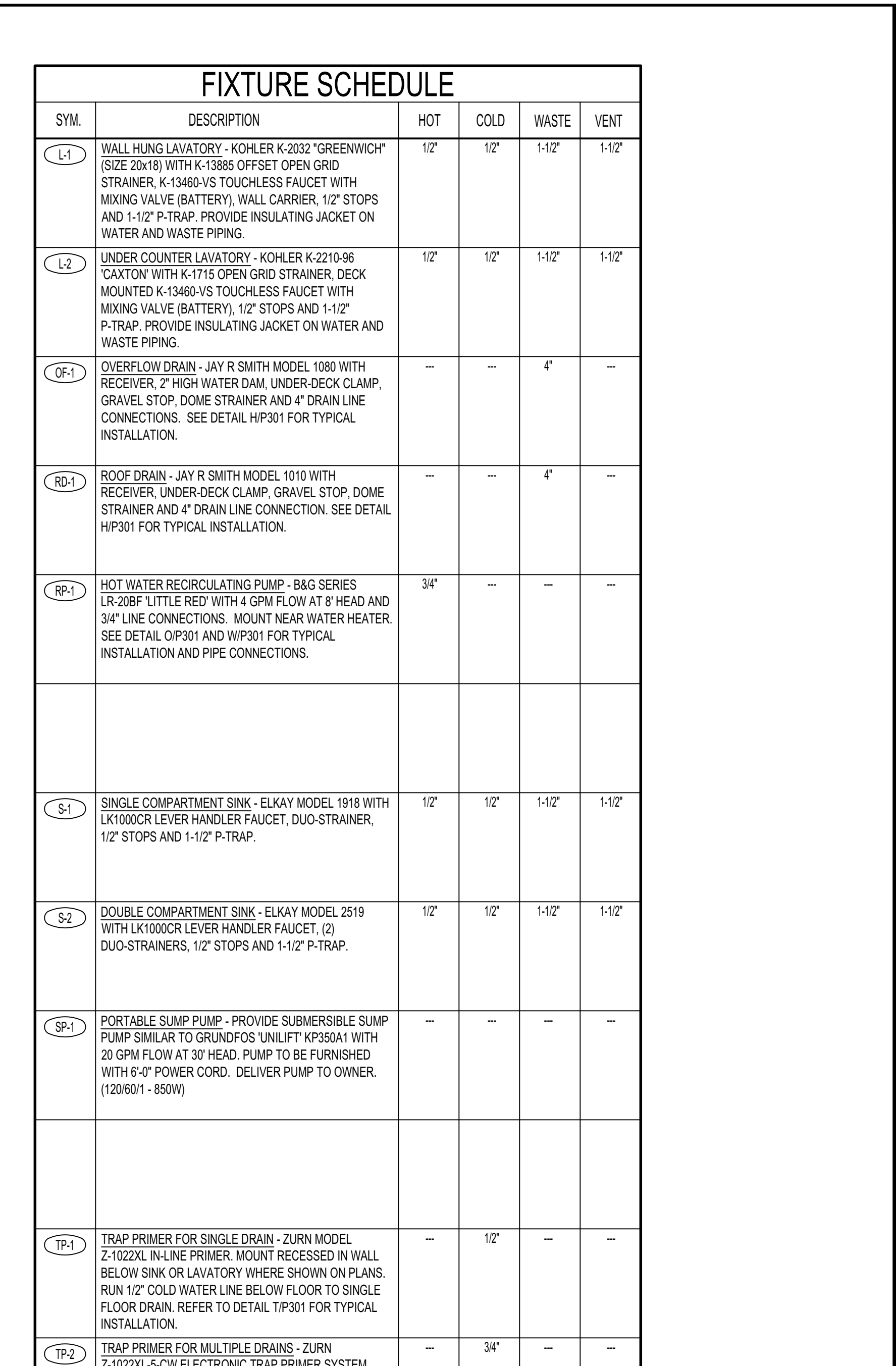
FIXTURE SCHEDULE					
SYM.	DESCRIPTION	HOT	COLD	WASTE	VENT
(F-1)	8 1/2\"/>				
(E-1)	EMERGENCY EYEWASH STATION - HAVIS MODEL 7200B. WALL MOUNTED EYE WASH WITH 11\"/>				
(F-2)	2\"/>				
(F-3)	FLOOR SINK WITH 3/4\"/>				
(F-4)	FLOOR SINK WITH 1/2\"/>				
(H-1)	EXTERIOR HOSE BIBB - ZURN Z-1310 \"ECO-TROL\" WITH REMOVABLE TEE-HANDLE KEY, VACUUM BREAKER AND AUTOMATIC DRAIN. LENGTH TO SUIT WALL THICKNESS. REFER TO DETAIL B1901 FOR TYPICAL INSTALLATION.		3/4"		
(H-2)	INTERIOR HOSE BIBB - WOODFORD MODEL B24P-1/2 (RECESSED) WITH VACUUM BREAKER AND REMOVABLE TEE-HANDLE KEY. REFER TO DETAIL C1901 FOR TYPICAL INSTALLATION.				
(H-3)	ROOF MOUNTED HOSE BIBB - WOODFORD MODEL RH2-1MS FREEZELESS ROOF HYDRANT WITH DECK COMPLETE WITH MODEL 5HMF BACKFLOW PREVENTER WITH TWO INDEPENDENT CHECK VALVES AND AUTOMATIC DRAIN, AND ROOF DECK SUPPORT CLAMP. RUN DRAIN LINE TO NEAREST FLOOR SINK OR FLOOR DRAIN.		1"		
(C-1)	ICE MAKER CONNECTION BOX - GUY GRAY MODEL B1805 RECESSED WALL MOUNTED UTILITY BOX WITH 1/2\"/>				
(S-1)	FLOOR MOUNTED SERVICE SINK - KOHLER K-6710 \"WHITBY\" WITH K-840 WIRE RIM GUARD, K-802 FAUCET ASSEMBLY AND K-6147 DRAIN ASSEMBLY WITH 2\"/>				
(K-1)	RANGE - (FUTURE FIXTURE BY OWNER) - ROUGH-IN AND CAP 3/4\"/>				
(K-2)	COMBO OVEN - (FUTURE FIXTURE BY OWNER) - ROUGH-IN AND CAP 3/4\"/>				
(K-3)	ICE MAKER AND STORAGE BIN - (FUTURE FIXTURE BY OWNER) - ROUGH-IN 1/2\"/>				
(K-4)	COFFEE MAKER - (FUTURE FIXTURE BY OWNER) - CONNECT 1/2\"/>				
(K-5)	SOILED DISH TABLE WITH SINK AND DISPOSER - (FUTURE FIXTURE BY OWNER) - ROUGH-IN AND CAP 1/2\"/>				
(K-6)	DISHWASHER - (FUTURE FIXTURE BY OWNER) - ROUGH-IN AND CAP 3/4\"/>				
(K-7)	TRIPLE COMPARTMENT SINK - EAGLE GROUP REGENCY 36\"/>				
(K-8)	HAND SINK AND FAUCET - ELKAY EHS-18-SDX WALL MOUNTED HAND SINK WITH 14x15 BOWL AND FAUCET. 1/4\"/>				
(WH-1)	ELECTRIC WATER HEATER - 40 SMITH BTH-150 WITH SEALED COMBUSTION CHAMBER, 100 GALLON GLASS LINED TANK, 150,000 BTU INPUT CAPACITY AND T&P RELIEF VALVE. EXPANSION TANK, HEAT TRAP APPLES AND SYMMONS 7-200 MIXING VALVE. SEE DETAIL W1901 FOR TYPICAL INSTALLATION.		1-1/2"	1-1/2"	
(WH-2)	ELECTRIC WATER HEATER - 40 SMITH ECT-40 WITH 40 GALLON CAPACITY, (2) 4.5 KW NON-SIMULTANEOUS ELEMENTS (208V/1), 3/4\"/>				
(WS-1)	WATER SOFTENER - PURE WATER PLUS RS1604-28204 SIMPLEX UNIT WITH CONTROL SYSTEM WITH METR, 80,000-100,000 GRAINS EXCHANGE CAPACITY AND 84 GPM PEAK FLOW AND 47 GPM CONTINUOUS FLOW RATE AT 15 psig PRESSURE DROP (120/60/1). REFER TO DETAIL J1901 FOR TYPICAL INSTALLATION.			2"	

J FIXTURE SCHEDULE

FIXTURE SCHEDULE					
SYM.	DESCRIPTION	HOT	COLD	WASTE	VENT
(L-1)	WALL HUNG LAVATORY - KOHLER K-2032 \"GREENWICH\" (SIZE 20x18) WITH K-13885 OFFSET OPEN GRID STRAINER, K-13460-VS TOUCHLESS FAUCET WITH MIXING VALVE (BATTERY), WALL CARRIER, 1/2\"/>				
(L-2)	UNDER COUNTER LAVATORY - KOHLER K-2210-86 CANTON WITH K-1715 OPEN GRID STRAINER, DECK MOUNTED K-13460-VS TOUCHLESS FAUCET WITH MIXING VALVE (BATTERY), 1/2\"/>				
(F-1)	OVERFLOW DRAIN - JAY R SMITH MODEL 1080 WITH RECEIVER, 2 HIGH WATER DAM, UNDER-DECK CLAMP, GRAVEL STOP, DOME STRAINER AND 4\"/>				
(R-1)	ROOF DRAIN - JAY R SMITH MODEL 1010 WITH RECEIVER, UNDER-DECK CLAMP, GRAVEL STOP, DOME STRAINER AND 4\"/>				
(R-2)	HOT WATER RECIRCULATING PUMP - BAG SERIES LR-208F LITTLE RED WITH 4 GPM FLOW AT 8\"/>				
(S-1)	SINGLE COMPARTMENT SINK - ELKAY MODEL 1918 WITH LK1000R LEVER HANDLER FAUCET, DUO-STRAINER, 1/2\"/>				
(S-2)	DOUBLE COMPARTMENT SINK - ELKAY MODEL 2519 WITH LK1000R LEVER HANDLER FAUCET, (2) DUO-STRAINERS, 1/2\"/>				
(SP-1)	PORTABLE SUMP PUMP - PROVIDE SUBMERSIBLE SUMP PUMP SIMILAR TO GRUNDOS UNILIFT KP50A1 WITH 20 GPM FLOW AT 30\"/>				
(TP-1)	TRAP PRIMER FOR SINGLE DRAIN - ZURN MODEL Z-1022X IN-LINE PRIMER. MOUNT RECESSED IN WALL BELOW SINK OR LAVATORY WHERE SHOWN ON PLANS. RUN 1/2\"/>				
(TP-2)	TRAP PRIMER FOR MULTIPLE DRAINS - ZURN Z-1022X-5-CH ELECTRONIC TRAP PRIMER SYSTEM. MOUNT RECESSED IN WALL WITH OVER RUN 1/2\"/>				
(U-1)	URINAL - KOHLER MODEL 4984-T \"FRESHMAN\" WITH SLOAN 8186 OPTIMA PLUS BATTERY POWERED SENSOR FLUSH VALVE AND WALL CARRIER. SEE ARCHITECTURAL DRAWINGS FOR MOUNTING HEIGHTS.		3/4"	2"	2"
(WC-1)	ADA WATER CLOSET - KOHLER K-9695T \"HIGHCLIFF\" WITH ELONGATED BOWL, K-4870-C OPEN FRONT SEAT, SLOAN 8111 OPTIMA PLUS BATTERY POWERED SENSOR FLUSH VALVE AND BOLT CAPS.		1"	4"	2"
(WC-2)	WATER CLOSET - KOHLER K-9693 \"WELLCOME\" WITH ELONGATED BOWL, K-4870-C OPEN FRONT SEAT, SLOAN 8111 OPTIMA PLUS BATTERY POWERED SENSOR FLUSH VALVE AND BOLT CAPS.		1"	4"	2"
(WF-1)	WALL FLANGE - JAY R SMITH 1770 WITH ROUGH BRONZE CONSTRUCTION, WALL FLANGE AND 4\"/>				
(WF-2)	WALL FLANGE - JAY R SMITH 1770 WITH ROUGH BRONZE CONSTRUCTION, WALL FLANGE AND 4\"/>				
(WH-1)	GAS FIRED WATER HEATER - 40 SMITH BTH-150 WITH SEALED COMBUSTION CHAMBER, 100 GALLON GLASS LINED TANK, 150,000 BTU INPUT CAPACITY AND T&P RELIEF VALVE. EXPANSION TANK, HEAT TRAP APPLES AND SYMMONS 7-200 MIXING VALVE. SEE DETAIL W1901 FOR TYPICAL INSTALLATION.		1-1/2"	1-1/2"	
(WH-2)	ELECTRIC WATER HEATER - 40 SMITH ECT-40 WITH 40 GALLON CAPACITY, (2) 4.5 KW NON-SIMULTANEOUS ELEMENTS (208V/1), 3/4\"/>				
(WS-1)	WATER SOFTENER - PURE WATER PLUS RS1604-28204 SIMPLEX UNIT WITH CONTROL SYSTEM WITH METR, 80,000-100,000 GRAINS EXCHANGE CAPACITY AND 84 GPM PEAK FLOW AND 47 GPM CONTINUOUS FLOW RATE AT 15 psig PRESSURE DROP (120/60/1). REFER TO DETAIL J1901 FOR TYPICAL INSTALLATION.			2"	

K FIXTURE SCHEDULE

Plan Review Approved: Provide Water Hammer Arresters for all quick-acting valves 609.10 ISPC. Final approval is based upon inspection and shall adhere to the 2017 Idaho State Plumbing Code



L MECHANICAL LEGEND

FIXTURE SCHEDULE					
SYM.	DESCRIPTION	HOT	COLD	WASTE	VENT
(L-1)	WALL HUNG LAVATORY - KOHLER K-2032 \"GREENWICH\" (SIZE 20x18) WITH K-13885 OFFSET OPEN GRID STRAINER, K-13460-VS TOUCHLESS FAUCET WITH MIXING VALVE (BATTERY), WALL CARRIER, 1/2\"/>				
(L-2)	UNDER COUNTER LAVATORY - KOHLER K-2210-86 CANTON WITH K-1715 OPEN GRID STRAINER, DECK MOUNTED K-13460-VS TOUCHLESS FAUCET WITH MIXING VALVE (BATTERY), 1/2\"/>				
(F-1)	OVERFLOW DRAIN - JAY R SMITH MODEL 1080 WITH RECEIVER, 2 HIGH WATER DAM, UNDER-DECK CLAMP, GRAVEL STOP, DOME STRAINER AND 4\"/>				
(R-1)	ROOF DRAIN - JAY R SMITH MODEL 1010 WITH RECEIVER, UNDER-DECK CLAMP, GRAVEL STOP, DOME STRAINER AND 4\"/>				
(R-2)	HOT WATER RECIRCULATING PUMP - BAG SERIES LR-208F LITTLE RED WITH 4 GPM FLOW AT 8\"/>				
(S-1)	SINGLE COMPARTMENT SINK - ELKAY MODEL 1918 WITH LK1000R LEVER HANDLER FAUCET, DUO-STRAINER, 1/2\"/>				
(S-2)	DOUBLE COMPARTMENT SINK - ELKAY MODEL 2519 WITH LK1000R LEVER HANDLER FAUCET, (2) DUO-STRAINERS, 1/2\"/>				
(SP-1)	PORTABLE SUMP PUMP - PROVIDE SUBMERSIBLE SUMP PUMP SIMILAR TO GRUNDOS UNILIFT KP50A1 WITH 20 GPM FLOW AT 30\"/>				
(TP-1)	TRAP PRIMER FOR SINGLE DRAIN - ZURN MODEL Z-1022X IN-LINE PRIMER. MOUNT RECESSED IN WALL BELOW SINK OR LAVATORY WHERE SHOWN ON PLANS. RUN 1/2\"/>				
(TP-2)	TRAP PRIMER FOR MULTIPLE DRAINS - ZURN Z-1022X-5-CH ELECTRONIC TRAP PRIMER SYSTEM. MOUNT RECESSED IN WALL WITH OVER RUN 1/2\"/>				
(U-1)	URINAL - KOHLER MODEL 4984-T \"FRESHMAN\" WITH SLOAN 8186 OPTIMA PLUS BATTERY POWERED SENSOR FLUSH VALVE AND WALL CARRIER. SEE ARCHITECTURAL DRAWINGS FOR MOUNTING HEIGHTS.		3/4"	2"	2"
(WC-1)	ADA WATER CLOSET - KOHLER K-9695T \"HIGHCLIFF\" WITH ELONGATED BOWL, K-4870-C OPEN FRONT SEAT, SLOAN 8111 OPTIMA PLUS BATTERY POWERED SENSOR FLUSH VALVE AND BOLT CAPS.		1"	4"	2"
(WC-2)	WATER CLOSET - KOHLER K-9693 \"WELLCOME\" WITH ELONGATED BOWL, K-4870-C OPEN FRONT SEAT, SLOAN 8111 OPTIMA PLUS BATTERY POWERED SENSOR FLUSH VALVE AND BOLT CAPS.		1"	4"	2"
(WF-1)	WALL FLANGE - JAY R SMITH 1770 WITH ROUGH BRONZE CONSTRUCTION, WALL FLANGE AND 4\"/>				
(WF-2)	WALL FLANGE - JAY R SMITH 1770 WITH ROUGH BRONZE CONSTRUCTION, WALL FLANGE AND 4\"/>				
(WH-1)	GAS FIRED WATER HEATER - 40 SMITH BTH-150 WITH SEALED COMBUSTION CHAMBER, 100 GALLON GLASS LINED TANK, 150,000 BTU INPUT CAPACITY AND T&P RELIEF VALVE. EXPANSION TANK, HEAT TRAP APPLES AND SYMMONS 7-200 MIXING VALVE. SEE DETAIL W1901 FOR TYPICAL INSTALLATION.		1-1/2"	1-1/2"	
(WH-2)	ELECTRIC WATER HEATER - 40 SMITH ECT-40 WITH 40 GALLON CAPACITY, (2) 4.5 KW NON-SIMULTANEOUS ELEMENTS (208V/1), 3/4\"/>				
(WS-1)	WATER SOFTENER - PURE WATER PLUS RS1604-28204 SIMPLEX UNIT WITH CONTROL SYSTEM WITH METR, 80,000-100,000 GRAINS EXCHANGE CAPACITY AND 84 GPM PEAK FLOW AND 47 GPM CONTINUOUS FLOW RATE AT 15 psig PRESSURE DROP (120/60/1). REFER TO DETAIL J1901 FOR TYPICAL INSTALLATION.			2"	

M FIXTURE SCHEDULE

Myers Anderson
 Architecture
 Interior Design
 Historic Preservation

BID SET
 3-22-2021

Professional Engineer
 Registered
 State of Idaho
 No. 12345
 Jan 29, 2021

Engineered Systems Associates
 1355 EAST CENTER
 POCATELLO, IDAHO 83201
 PHONE: (208) 233-0501
 FAX: (208) 233-0529
 EMAIL: esa@engsys.com
 ESA JOB NUMBER: 18093

PROJECT:
 DPW PROJECT NO. 19240
 IDAHO STATE UNIVERSITY
 ALUMNI & VISITOR CENTER
 POCATELLO, IDAHO

SHEET TITLE:
 MECHANICAL DETAILS AND DIAGRAMS

CONTRACTOR SHALL VERIFY ALL DIMENSIONS AND CONDITIONS SHOWN OR IMPLIED.
 DRAWING SCALE APPLIES TO 3/4\"/>
 REVISION: _____ DATE: _____

APPROVAL:
 DRAWN BY: M. JENSEN
 CHECKED BY: D. SUDWICKS
 JOB NUMBER: 96548-13B
 PROJECT DATE: FEBRUARY 2021
 SHEET: **P302**
 5 OF 5

BUILDING SAFETY
 REVIEWED FOR CODE COMPLIANCE

This approval shall not be construed to be an approval of any violation of, or variance from, Idaho's adopted codes, standards, laws or rules applicable to this project.
 SEPARATE BUILDING PERMIT REQUIRED FOR CONSTRUCTION